

**RTA**CABINETS.CO



# CABINET ASSEMBLY INSTRUCTIONS

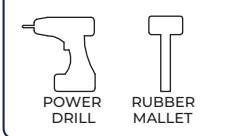
---

# Base Cabinet

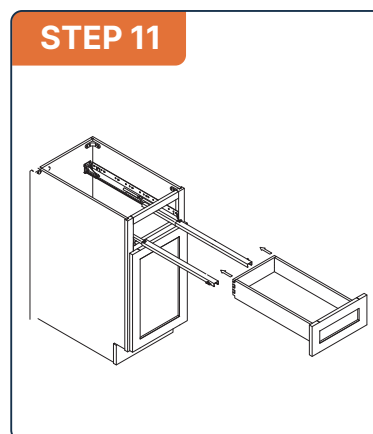
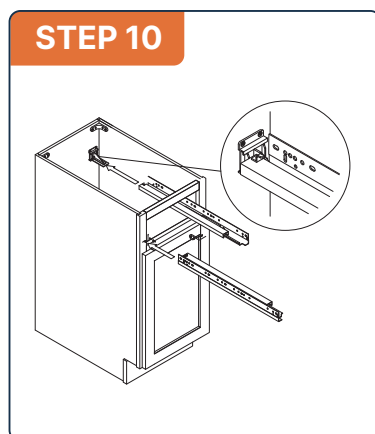
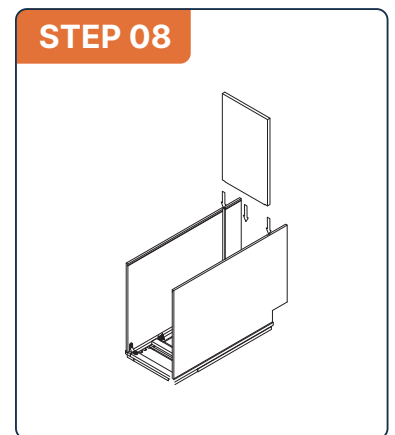
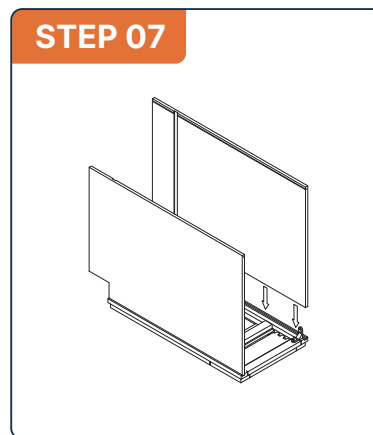
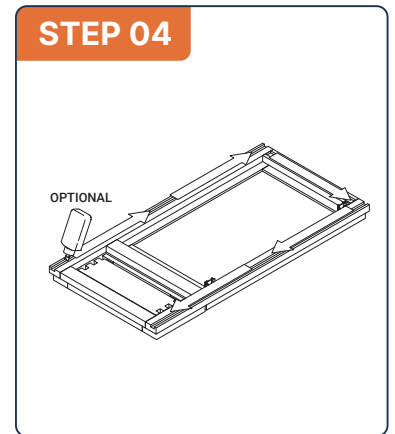
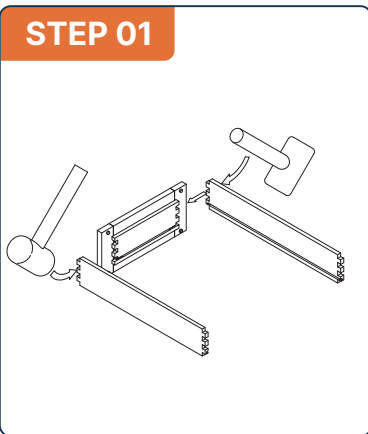
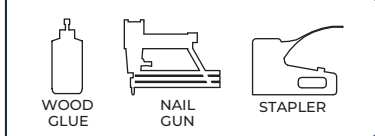
**Required**



**Tools**



**Optional**

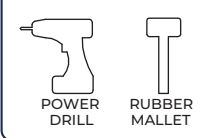


# Lazy Susan Cabinet

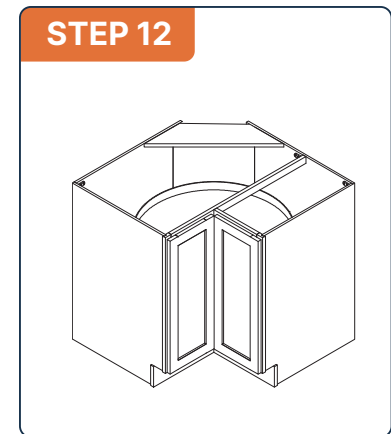
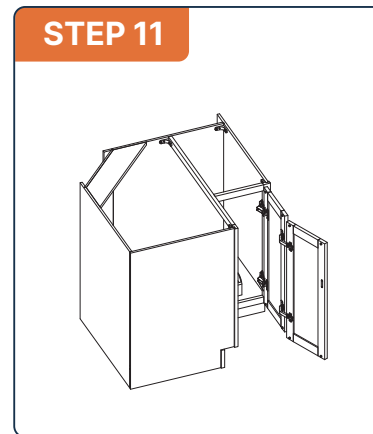
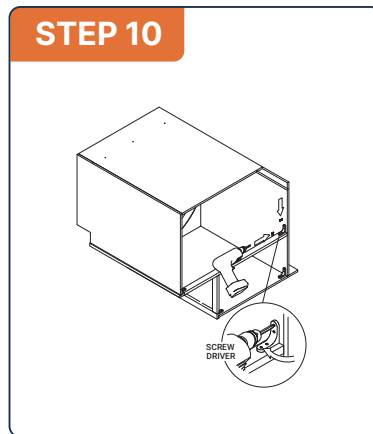
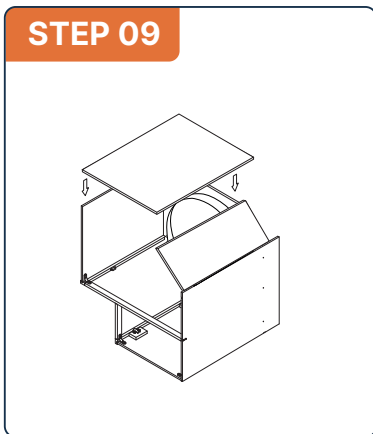
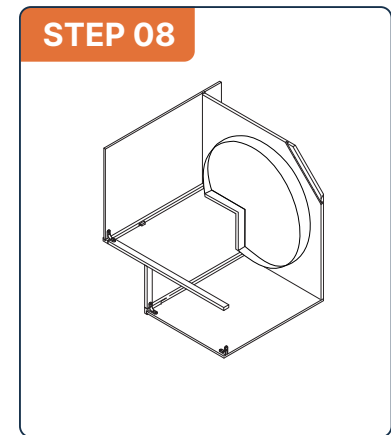
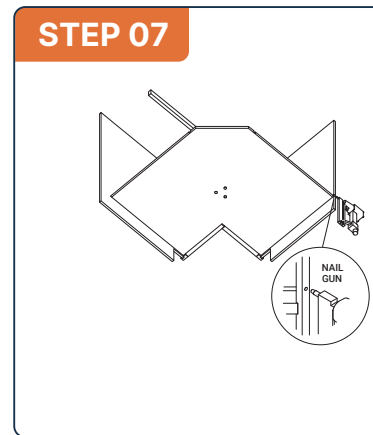
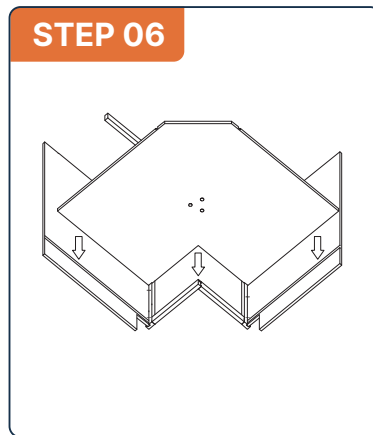
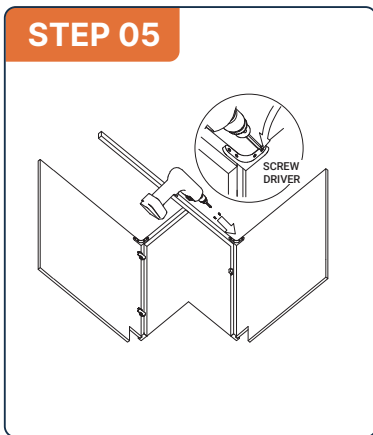
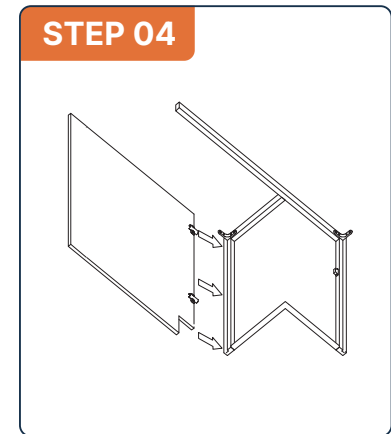
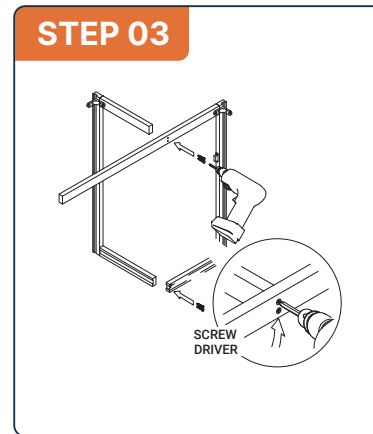
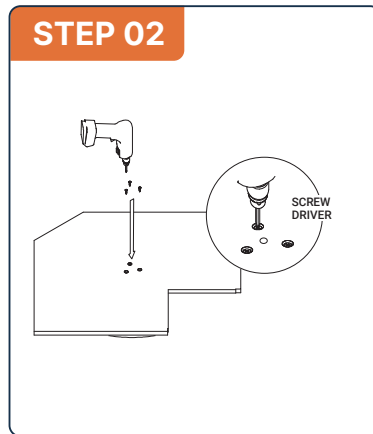
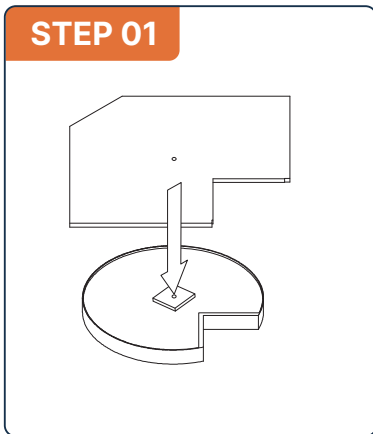
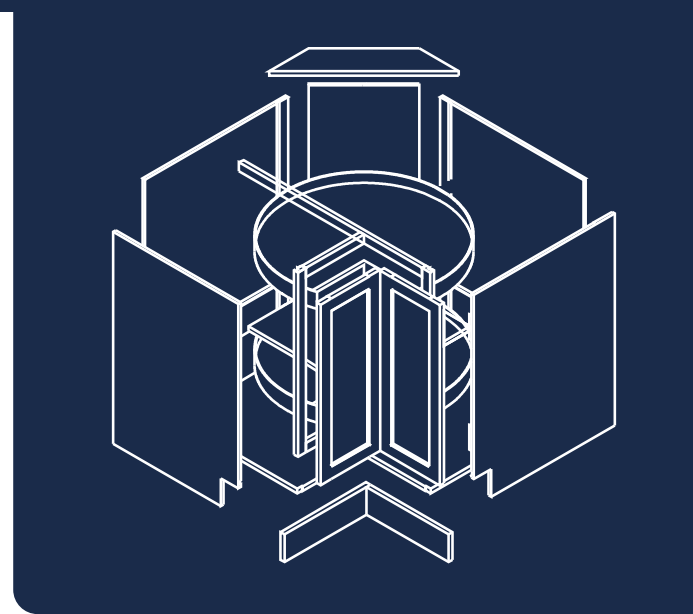
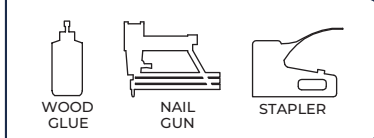
**Required**



**Tools**



**Optional**

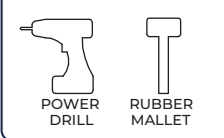


# Blind Corner Base Cabinet

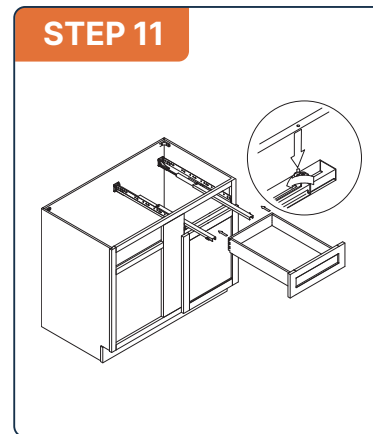
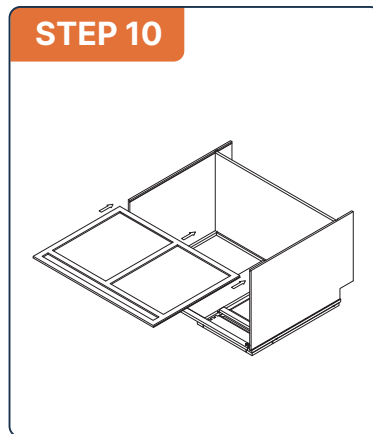
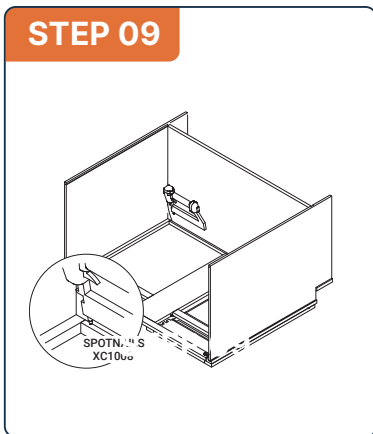
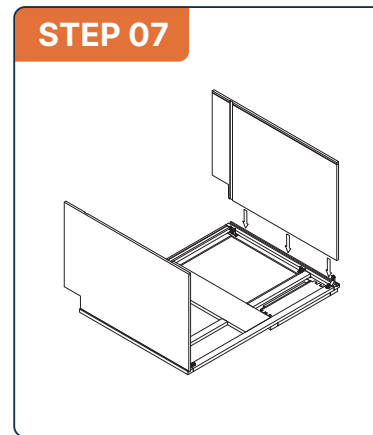
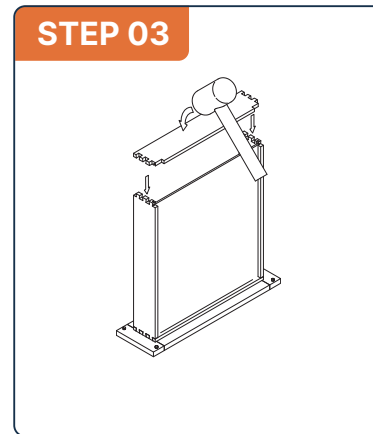
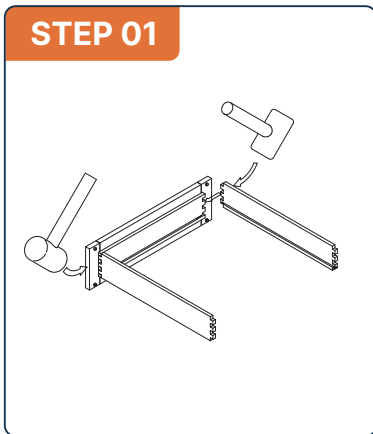
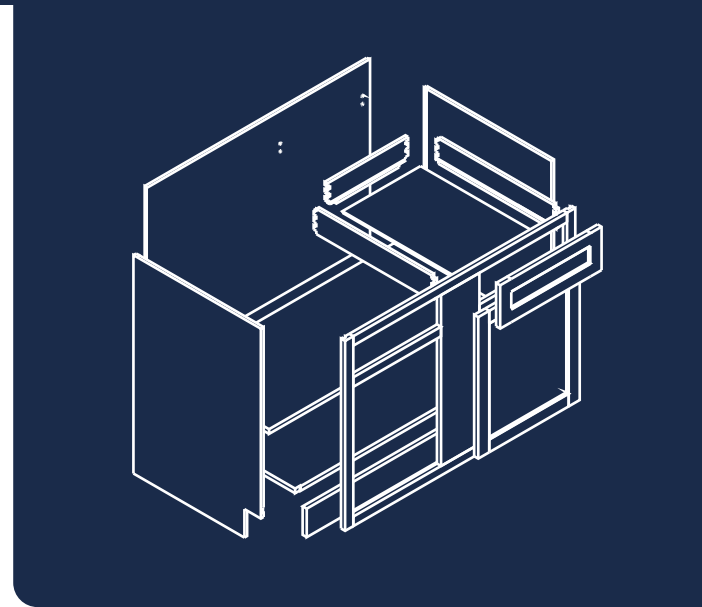
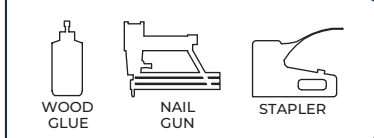
**Required**



**Tools**



**Optional**

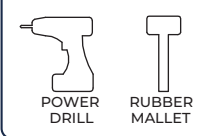


# Base 3 Drawers

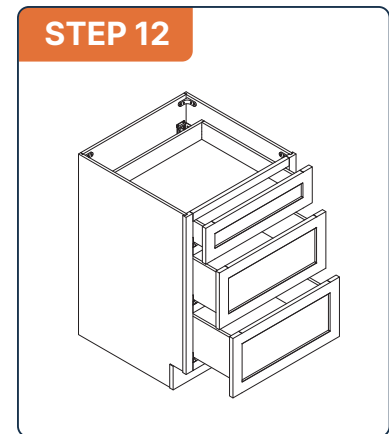
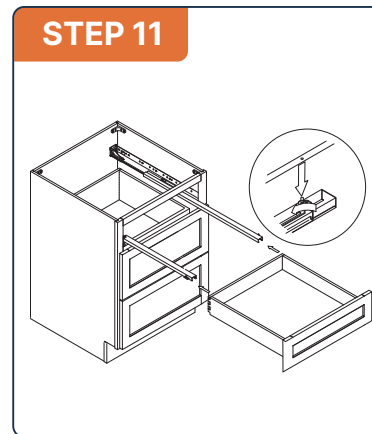
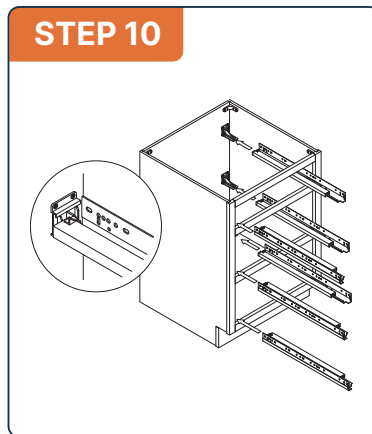
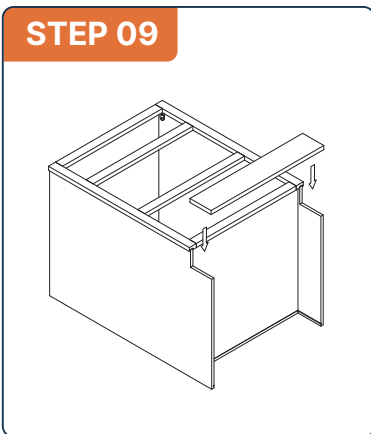
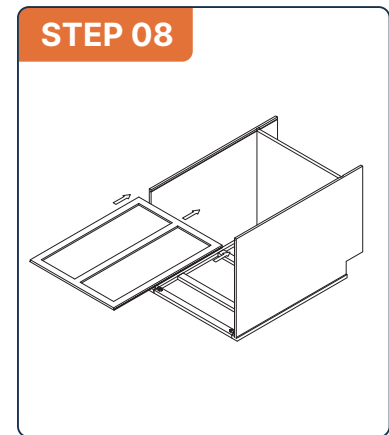
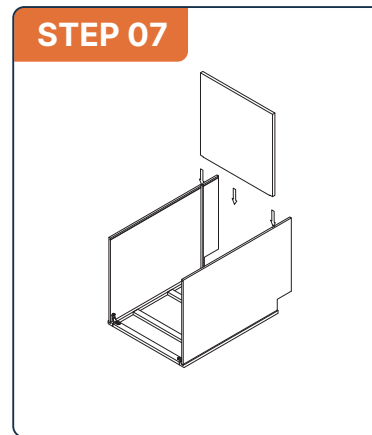
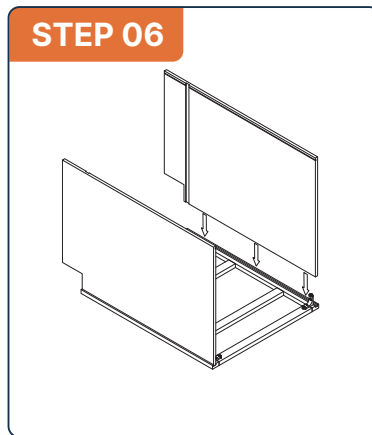
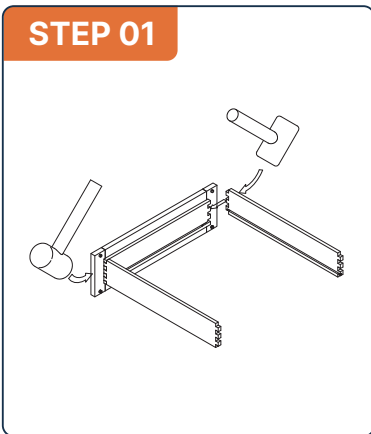
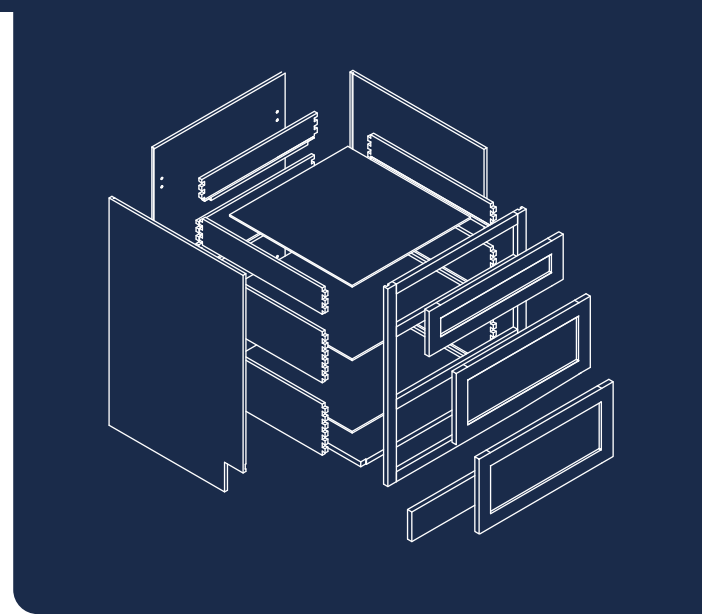
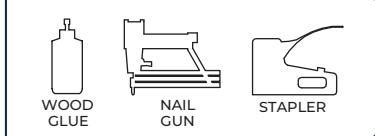
**Required**



**Tools**



**Optional**

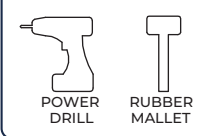


# Wall Cabinet

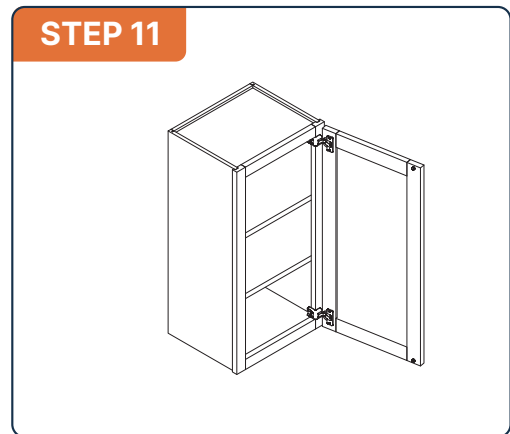
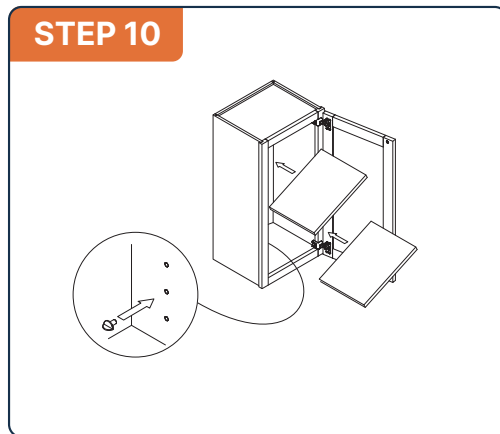
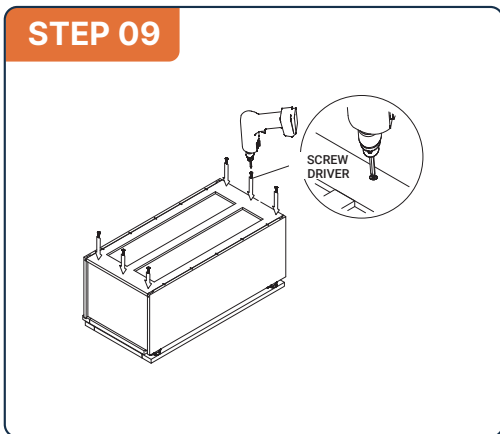
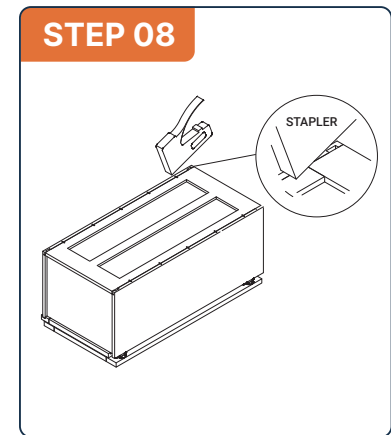
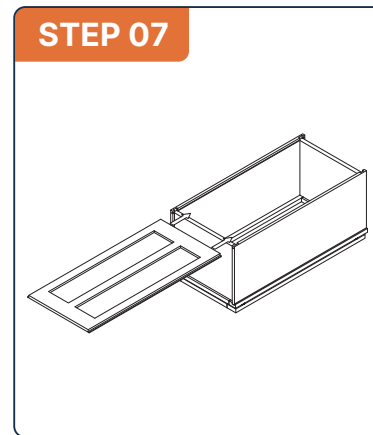
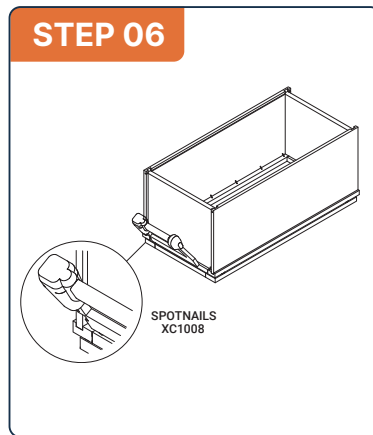
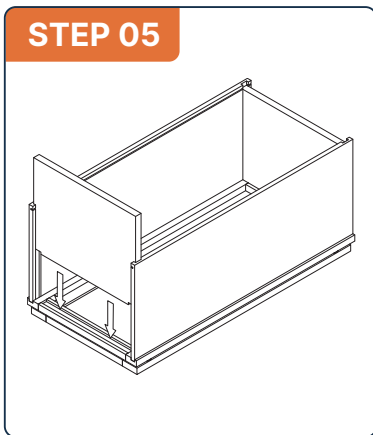
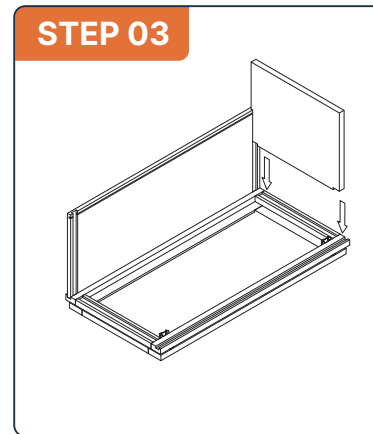
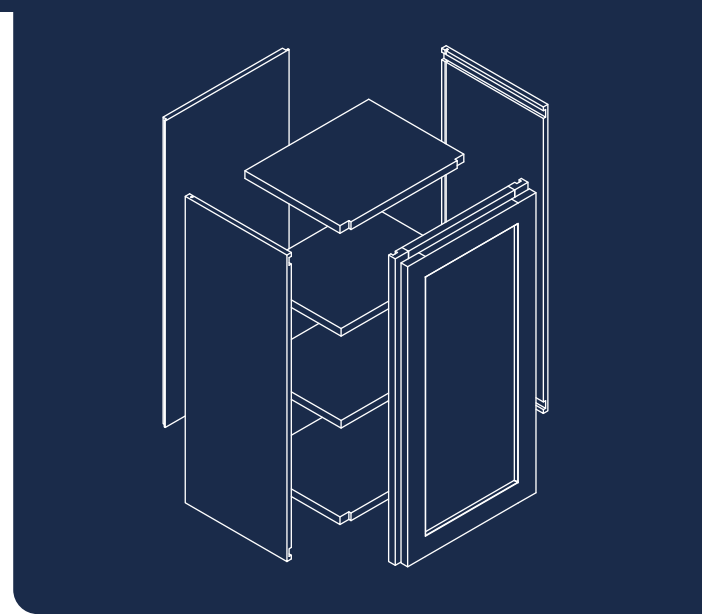
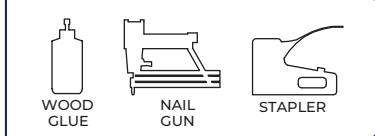
**Required**



**Tools**



**Optional**



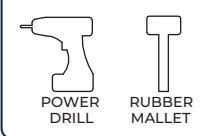


# Wall Diagonal Corner Cabinet

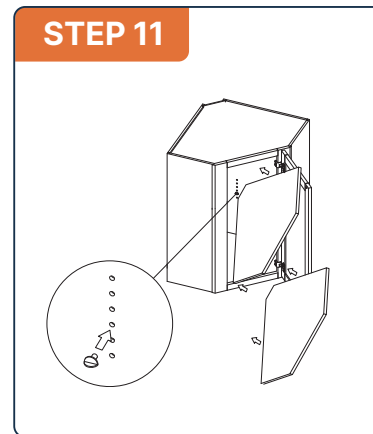
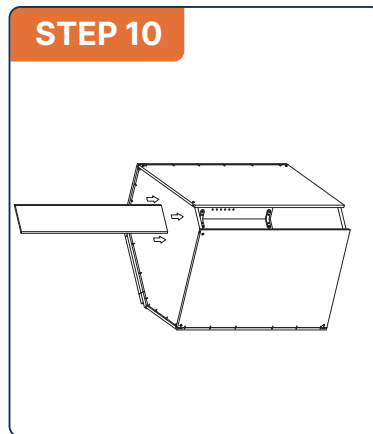
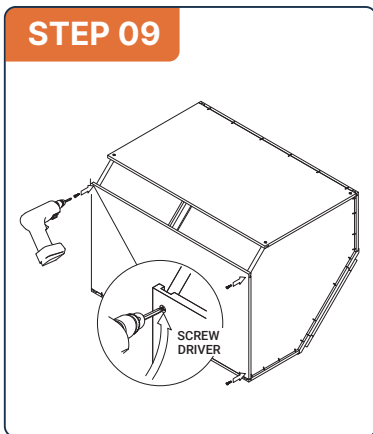
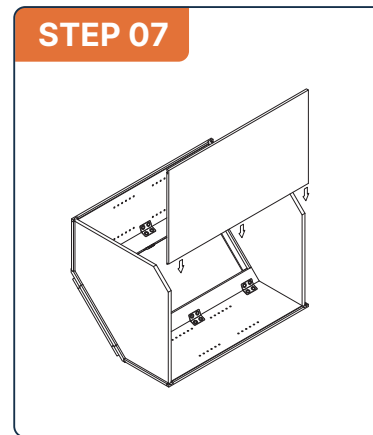
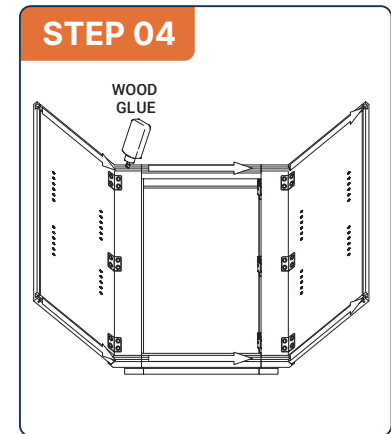
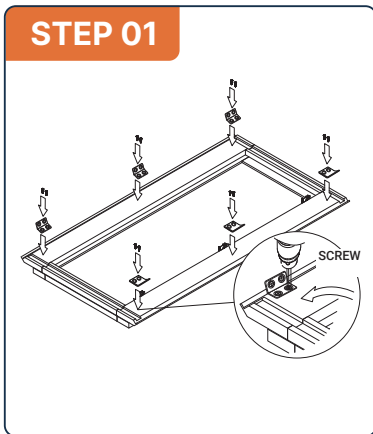
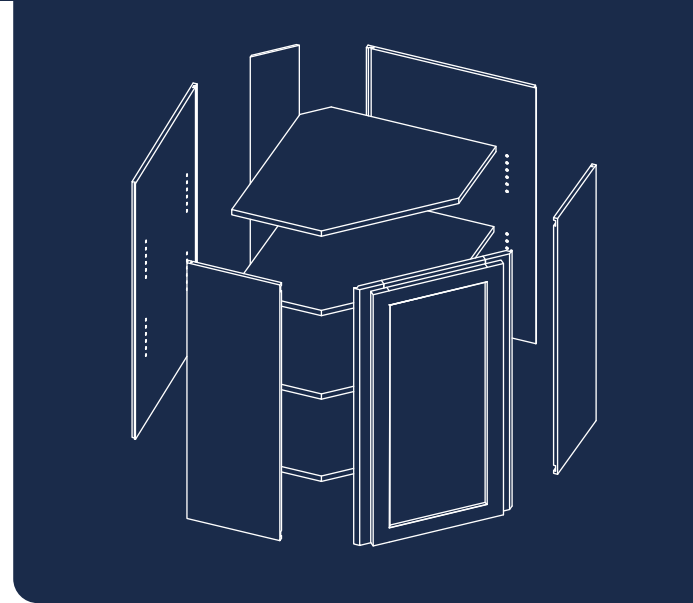
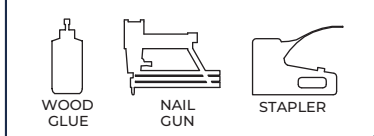
**Required**



**Tools**



**Optional**

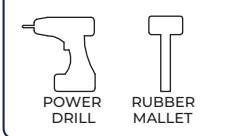


# Tall Pantry

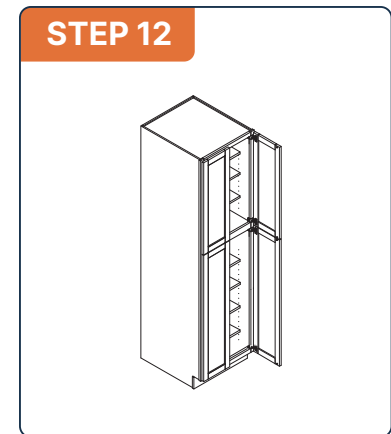
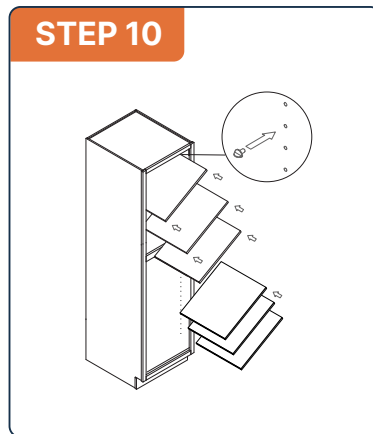
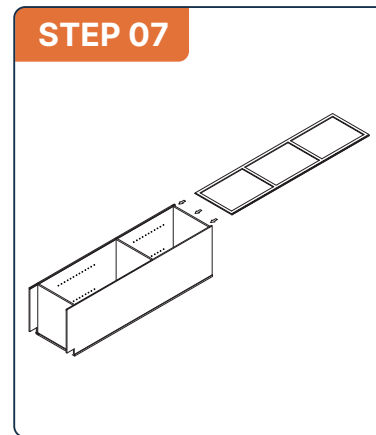
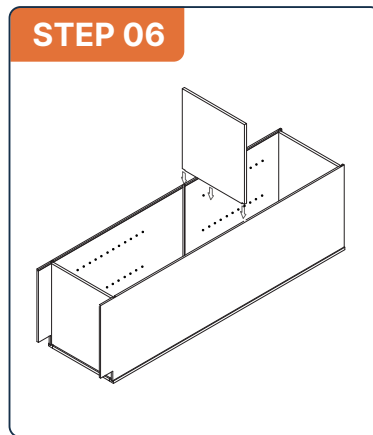
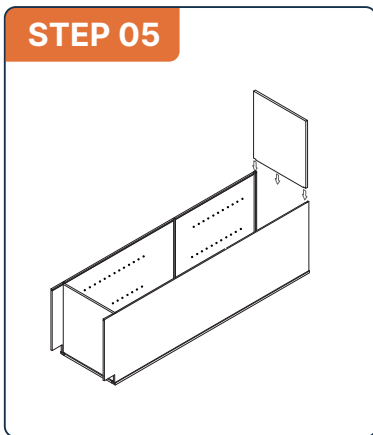
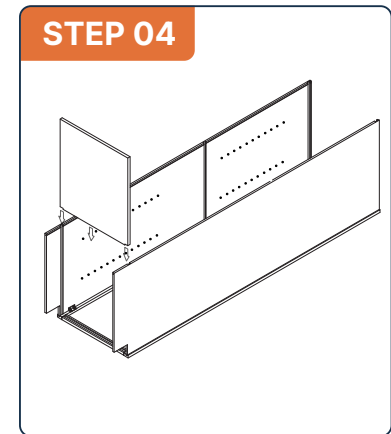
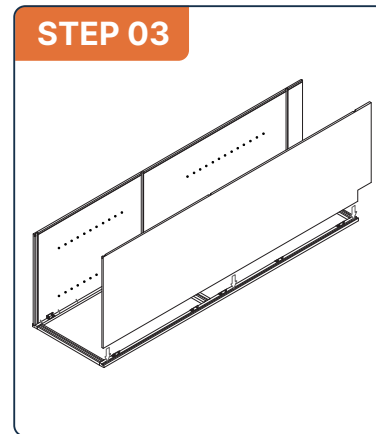
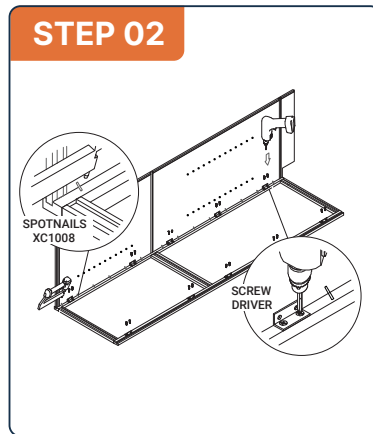
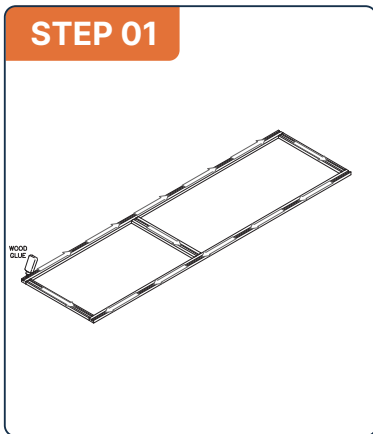
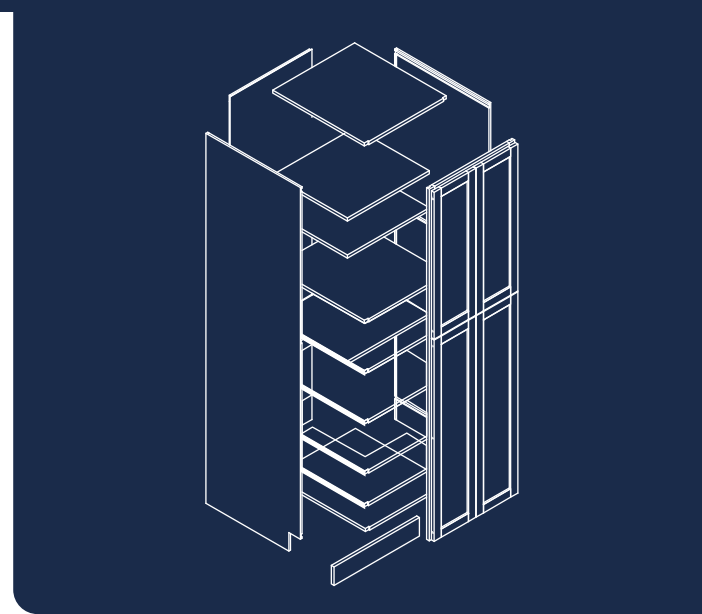
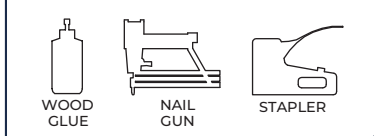
**Required**



**Tools**



**Optional**



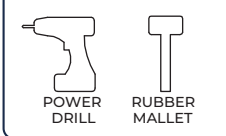


# Oven Cabinet

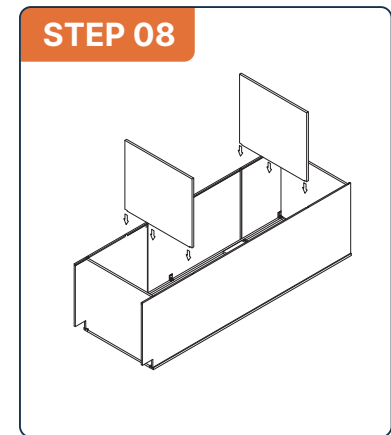
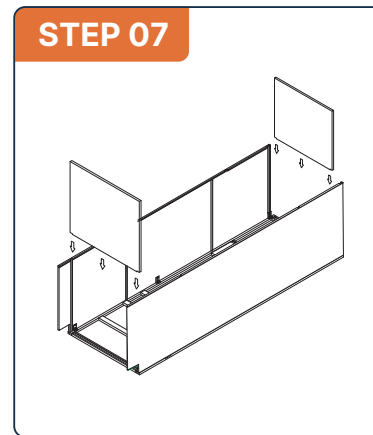
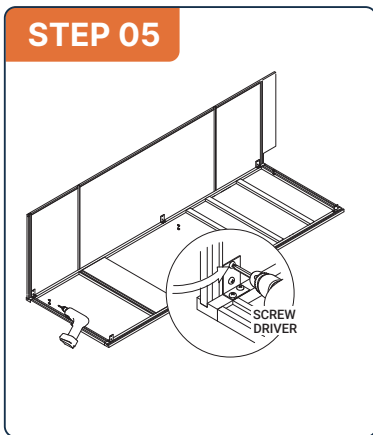
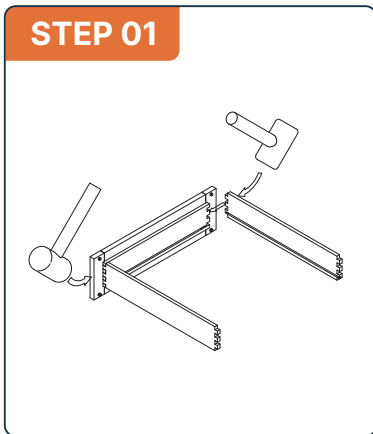
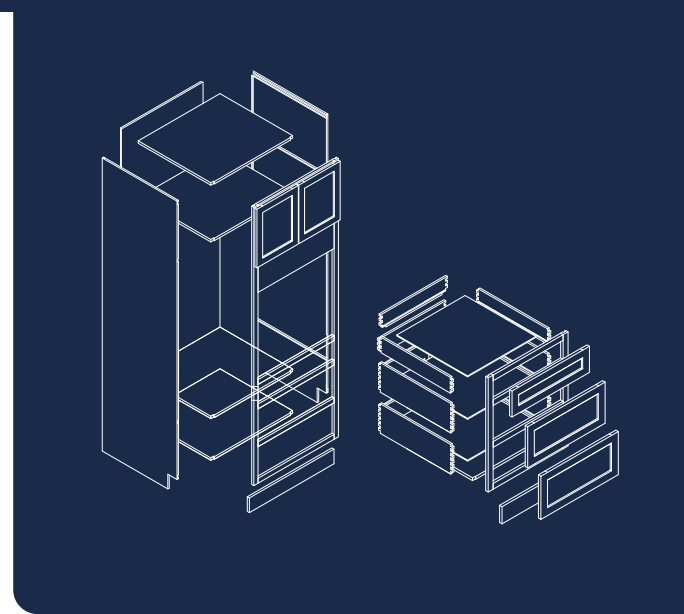
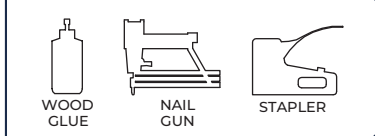
**Required**



**Tools**



**Optional**

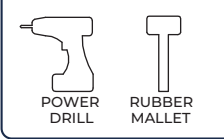


# Vanity Cabinet

**Required**



**Tools**



**Optional**

